



ABOVE-GROUND  
AUTOMATIC COVER

# ROLLEASY 2



**STRENGTH  
DISCRETION  
SAFETY**

ABOVE-GROUND  
AUTOMATIC COVER

# ROLLEASY 2

ROLLEASY 2 Electric



NEW BUILD



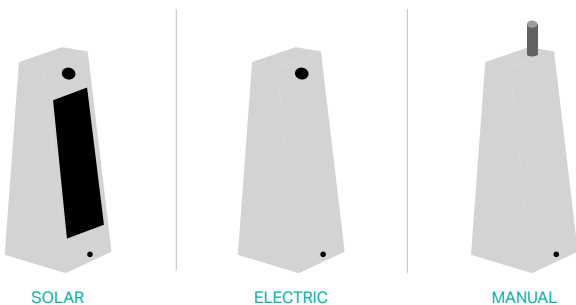
REFURBISHMENT



SOLAR OPTION

## SPECIFICATIONS

For new build or refurbished pools from 2.5 x 3 m up to 3.5 x 12.5 m or 5 x 11 m + 3 m steps



SOLAR

ELECTRIC

MANUAL

**Colours available for the solar, electric and manual versions:**  
white or the 8 colours below (optional).



BEIGE  
(RAL  
1015)

GREY  
(RAL  
7047)

MIDNIGHT  
BLUE  
(RAL 5011)

DARK  
GREEN  
(RAL  
6005)

DARK  
GREY  
(RAL  
7022)

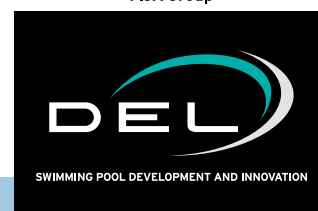
APRICOT  
(RAL  
1034)

BORDEAUX  
(RAL 3004)

BLACK  
(RAL  
9005)

- Available in solar, electric and manual versions.
- Terminals in 30/10ths white lacquered aluminium, other colours available on request (8 colours).
- 12VDC electric tubular motor, 4 rpm, only 2 power supply wires (electric and solar versions).
- 3 position key operated switch, prevents all unplanned manoeuvres (electric and solar versions).  
The cover is stopped synchronised on adjustable automatic stops.
- Factor 15 gear reducer: With 1 stainless steel ball bearing for easy handling (manual version)
- Cover composed of opaque PVC or polycarbonate slats fitted with locking kits. Slats available in several colours: white, beige, grey, blue or cristal/black for perfect matching with your environment.





ABOVE-GROUND COVER **ROLLEASY 2** COMBINE STRENGTH AND DISCRETION TO SECURE EXISTING OR NEW BUILD POOLS. AVAILABLE IN ELECTRIC, SOLAR OR MANUAL VERSIONS, IT HAS 9 TRENDY COLOURS AVAILABLE SO THAT YOU CAN CREATE A SPACE TO YOUR TASTE.

## STRENGTH

DEL has taken great care in selecting the materials for the RollEasy 2 cover. Its 6060T6 20 µm anodised aluminium stand guarantees maximum strength. It is fixed to 2 brackets that support the weight of the motor. This exclusive configuration makes it possible to avoid overloading the tubular motor (in the solar and electric version)

## DISCRETION

RollEasy 2's simple and pure design make it an especially discrete above-ground cover. Its reduced size terminals with customisable colours make it easy to perfectly integrate it into the environment and pool style. Its cover composed of opaque PVC slats is available in 5 colours for perfect matching.

## ECO-RESPONSIBLE

Covering your pool with a RollEasy 2 safety cover makes it possible to limit evaporation, responsible for drops in water levels, while maintaining the pool water temperature and limiting external pollution. In its solar or manual versions RollEasy 2 requires no electricity supply, for 100% money saving operation.



POLYCARBONATE  
SOLAR  
CRISTAL/BLACK

PVC  
WHITE

PVC  
BLUE

PVC  
BEIGE

PVC  
MEDIUM  
GREY 2

## MAXIMUM SAFETY

An indispensable addition to DEL covers, the safety kits make it possible to guarantee the complete closure of your pool. A wide range of colours makes it possible to match the kits to your coating colour.

Ask your pool professional for advice.

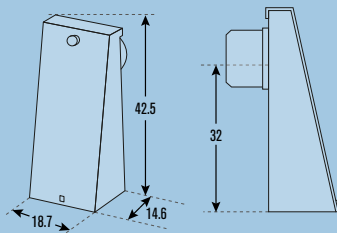


ROLLEASY 2 Solar

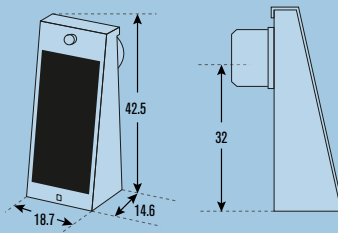
ABOVE-GROUND  
AUTOMATIC COVER

# ROLLEASY 2

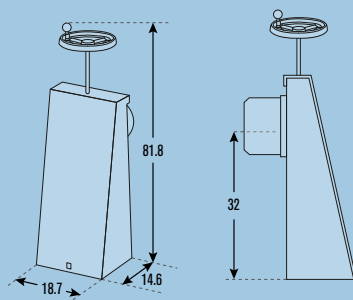
## SIZE



ROLLEASY 2 ELECTRIC



ROLLEASY 2 SOLAR



ROLLEASY 2 MANUAL

The purpose of DEL safety covers is not to replace the vigilance of parents and/or responsible adults which remains the essential factor for the safety of young children. DEL automatic covers are safety covers designed to prevent children under 5 years old from accessing the pool. A child can drown in minutes, no type of protective measure can replace the monitoring and vigilance of a responsible adult.

For more information  
about your project ask your pool  
professional for advice.

 Golden Coast

Fishleigh Road | Roundswell Commercial Park West  
Barnstaple | Devon | EX31 3UA

Phone: +44 (0) 1271 378 100 | Fax: +44 (0) 1271 371 699  
Email: swimmer@goldenc.co | Web: www.goldenc.co